



SPEED QUEEN® ON-PREMISES LAUNDRY SOLUTIONS

Single Premium Tumble Dryer

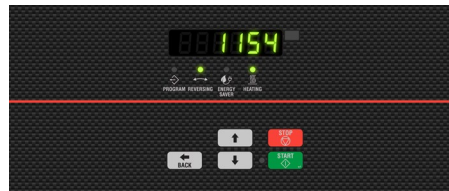
ST055

55 lb (25 kg)

Premium Tumble Dryers

Our single pocket tumble dryers are designed with fewer moving parts, so that you'll face fewer maintenance problems and less wear and tear. We make it easier with a large, easy-to-clean lint compartment and a heavy-duty door hinge designed to withstand heavy usage.

- High-performance heater box increases energy efficiency, reduces drying times and provides a more comfortable operating environment.
- Precise drying performance with OPT (over-dry prevention technology).
- Large easy-to-clean lint compartment.
- Reversing option available.
- Quantum™ gives you complete laundry control to reduce costs and increase throughput.



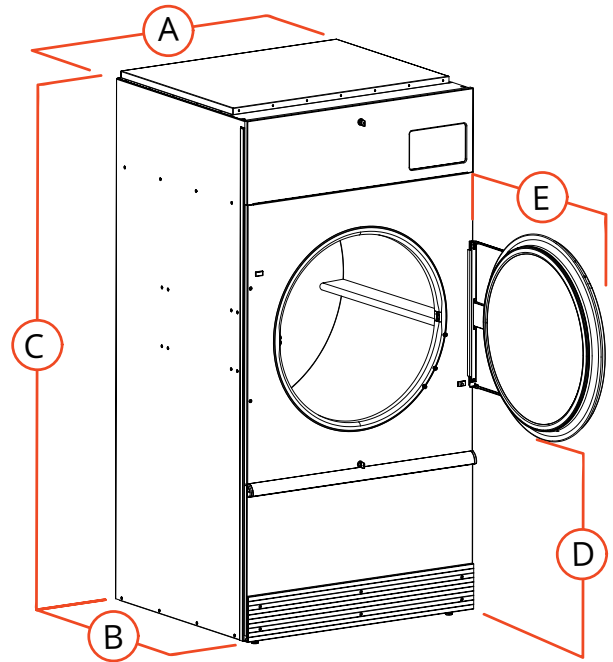
Quantum® Control

Revolutionary Quantum® technology combines equipment controls, programming and wireless networking into one complete OPL management system, giving you total control over your laundry room from any computer, anywhere in the world. Advanced diagnostics and audit data reports help you catch errors before they become bigger issues. Quantum is designed to help your reduce costs, decrease your downtime and increase your throughput.

Single Premium Tumble Dryer

Specifications

		ST055	
Control Option		Quantum	
Capacity - lb (kg)		55 (25)	
Overall Width - in (mm)		34.5 (876)	
Overall Depth - in (mm)		53.1 (1350)	
Overall Height - in (mm)		66.7 (1700)	
Cylinder Diameter - in (mm)		33 (838)	
Cylinder Depth - in (mm)		35.0 (889)	
Cylinder Volume - cu. ft (liters)		17.3 (489.9)	
Reversing Cylinder		Standard	
Door Opening Size - in (mm)		26.9 (683)	
Heat Input Power	Gas Models - Per Pocket	112,000 Btu/hr	
	Electric Models	27kW	
Gas Connections - in (npt)		0.5	
Air Outlet - in (mm)		8 (200)	
Motor - HP	Fan	0.5	
	Cylinder	0.5	
Airflow - cfm		700 (330)	
Electrical Specs - amps	Gas		
	B	100-120V/50/60/1	12
	X	200-240V/50/60/1/3	7
	N	440-480V/50/60/3	3
	Electric		
	D	200-208V/50/60/1	133
	E	230-240V/50/60/1	116
	F	200-208V/50/60/3	78
	G	230-240V/50/60/3	67
	K	440V/50/60/3	37
L	460-480V/50/60/3	34	
Shipping Dimensions Approx.- in (mm)	Width	35.5 (902)	
	Depth	57 (1448)	
	Height	70.5 (1791)	
Net Weight - lb (kg)	Gas	430 (195)	
	Electric	440 (200)	
Shipping Weight - lb (kg)	Gas	470 (215)	
	Electric	480 (220)	
Agency Approvals		CSA	



A.	Overall Width - in (mm)	34.5 (876)
B.	Overall Depth - in (mm)	53.1 (1350)
C.	Overall Height - in (mm)	66.7 (1700)
D.	Door Bottom to Floor - in (mm)	26.9 (683)
E.	Door Swing - in (mm)	31.9 (810)

Tumble dryer models are made to suit a variety of electrical service characteristics. See your Speed Queen distributor for specifications.

For further details on installation, refer to Installation, Operation and Maintenance instructions supplied with the tumble dryer. Amperage ratings available in Installation Manual.

For the most accurate information, the installation guide should be used for all design and construction purposes. Due to continuous product improvements, design and specifications subject to change without notice. The quality management systems at Alliance Laundry Systems are registered to ISO 9001.